

Completely 'Made in the USA', not just "designed, assembled and tested."

Flow Rater—Visual Flow Meter

For handling industrial liquids where a continuous rate of flow is an operating aid or necessity, it is desirable to know at a glance the rate of flow in GALLONS PER MINUTE. With the **LOBEE GPM RATER**, which has a clear tube entirely around the body and an indicator just inside the tube for easy reading, the rate of flow in GALLONS PER MINUTE is observable at all times. The flange of the float deflects the liquid against the wall of the tube and helps keep it clean so the indicator remains visible even in liquids of high sediment content. The small size of the flow rater permits easy installation.



Operation and Application

The GPM Rater is a virtually trouble-free unit. It must be installed vertically to insure accuracy and prevent sticking or hang-up of the float. If the float does stick or hang-up for reasons of poor installation alignment, simply tap the pipe above the rater. This will not damage the rater. No lubrication is necessary, but cleanliness is necessary for smooth accurate operation. If sludge or residue builds up inside the unit, remove and clean periodically. Standard calibration is for water at 31.5 SSU. Accuracy is +/- 5% of maximum scale reading. All sizes available in Brass, PVC or 316 Stainless Steel.

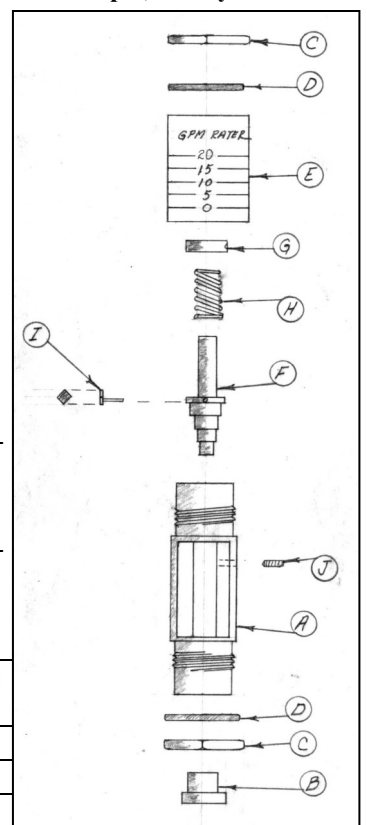
Brass

Stainless Steel

PVC

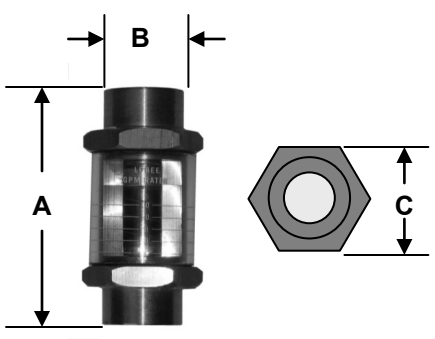


Made simple, sturdy and reliable



Dimensions and Specifications

Base Model	NPT Port Size	Flow Range	A	B	C
RA 404-	1/2"	1-4 GPM	4"	1-3/32"	1-1/2"
RA 412-	1/2"	3-12 GPM	4"	1-3/32"	1-1/2"
RA 608-	3/4"	2-8 GPM	4-1/2"	1-3/8"	2"
RA 620-	3/4"	5-20 GPM	4-1/2"	1-3/8"	2"
RA 812-	1"	3-12 GPM	5"	1-1/2"	2"
RA 840-	1"	10-40 GPM	5"	1-1/2"	2"



Construction	Tube	Spring	O-Ring	Maximum Operating Pressure	Maximum Operating Temperature
Brass	Plastic	316 SS	Buna-N	125 psi	125° F
PVC	Pyrex	316 SS	Viton	125 psi	125° F
316 Stainless Steel	Pyrex	316 SS	Viton	125 psi	200° F