

Lobee Pump and Machinery Co.

11/8/2011

LIST EFFECTIVE Nov 1, 2011

Model LR

Always specify pump model and serial number when ordering parts.

COMMON PARTS FOR "LR" BEARING FRAME

<u>Part No.</u>	<u>Description</u>	<u>Qty/pump</u>
7LRAI	Bearing Frame, Cast Iron	1
7LRFB	Bearing Cap, Bronze	1
7LRR	Deflector	1
7LRN	Outboard Bearing-ball type	1
7LRM	Inboard Bearing-ball type	1
7LRT	Retaining Ring	1
1610BL	Alemite Grease fitting	2

<u>Model/Description</u>	CAST IRON			BRONZE		STAINLESS STEEL	
	<u>Part No.</u>	<u>Part No.</u>	<u>Part No.</u>	<u>Part No.</u>	<u>Part No.</u>	<u>Part No.</u>	<u>Part No.</u>
8LR 1" Pump							
Casing		8C-IF	8C-BF	8C-SF			
Cover		8D-IF	8D-BF	8D-SF			
Impeller		8B-B	8B-BF	8B-SF			
12LR 1 1/2" Pump							
Casing		12C-IF	12C-BF	12C-SF			
Cover		12D-IF	12D-BF	12D-SF			
Impeller		12B-BF	12B-BF	12B-SF			
16 LR 2" Pump							
Casing		16C-IF	16C-BF	16C-SF			
Cover		16D-IF	16D-BF	16D-SF			
Impeller		16B-BF	16B-BF	16B-SF			

COMMON PARTS FOR IRON, BRONZE FITTED AND ALL BRONZE PUMP ENDS

<u>Part No.</u>	<u>Description</u>	<u>Qty/Pump</u>
7LRSS416	Shaft, 416 SS	1
7LRSS316	Shaft, 316 SS	1
7LRZ3/16	Impeller Key, 3/16" x 2"	1
7LREB*	Bronze Stuffing Box Gland	1
7LRK*	Packing, 5 ring set	1
7LRJ316*	Stuffing Box Washer	1
7LRU-1	8/12LR Casing Gasket, vellumoid, .006"	3
7LRU-2	16LR Casing Gasket, vellumoid, .006"	3
7LRGB*	Brass Stud	2
7LRX*	Stud Nut, 3/8"	2
7LRW1/8B	Brass Plug, 1/8"	1
	(used in 8LR & 12LR only)	
7LRW1/4	Plated Steel Plug, 1/4"	2
	(16LR uses 3 of these)	
7LRW1/4B	Brass Plug, 1/4" (All Bronze End)	2
	(16LR uses 3 of these)	
7LRY3/4	Cap Screw, 3/8" x 3/4"	5
7LRY3/4B	Cap Screw, 3/8" x 3/4" (All Bronze End)	5
7LRY1 1/2	Cap Screw, 3/8" x 1 1/2"	1
	(8LR only)	
7LRY1 1/2B	Cap Screw, 3/8" x 1 1/2" (All Bronze End)	1
	(8LR only)	
7LRT1 3/4	Cap Screw 3/8" x 1 3/4"	1
	(12LR only)	
7LRT1 3/4B	Cap Screw 3/8" x 1 3/4" (All Bronze End)	1
	(12LR only)	
7LRY2 1/4	Cap Screw, 3/8" x 2 1/4"	3
	(16LR only)	
7LRY2 1/4B	Cap Screw, 3/8" x 2 1/4" (All Bronze End)	3
	(16LR only)	

Notes:

- 1) Steel screws are used in iron bronze fitted pumps. Brass screws are used in all bronze pump ends. Specify which when ordering.
- 2) *Parts omitted when pump is ordered with a mechanical seal.

Lobee Pump and Machinery Co.

11/8/2011

Model LR

COMMON PARTS FOR STAINLESS STEEL PUMP END

<u>Part No.</u>	<u>Description</u>	<u>Qty/Pump</u>
7LRSS316	Shaft, 316 SS	1
7LRZ3/16	Impeller Key, 3/16" x 2"	1
7LRESS*	S.S. Stuffing Box Gland	1
7LRK-T*	Packing, 5 ring set, Teflon	1
7LRJ316*	Stuffing Box Washer	1
7LRU-T1	8/12 LR Casing Gasket, Teflon .005"	3
7LRU-T2	8/12 LR Casing Gasket, Teflon .010"	1
7LRU-T3	16 LR Casing Gasket, Teflon .010"	1
7LRU-T4	16 LR Casing Gasket, Teflon .003"	3
7LRG316*	S.S. Stud	2
7LRX316*	Stud Nut, 3/8" S.S.	2
7LRW1/8SS	S.S. Plug, 1/8"	1
	(used in 8LR & 12LR only)	
7LRW1/4SS	S.S. Plug, 1/4"	2
	(16LR uses 3 of these)	
7LRY3/4SS	Cap screw, 3/8" x 3/4" S.S.	5
7LRY1 1/2SS	Cap Screw, 3/8" x 1 1/2" S.S.	1
	(used in 8LR only)	
7LRY1 3/4SS	Cap Screw, 3/8" x 1 3/4" S.S.	1
	(used on 12LR only)	
7LRY2 1/4SS	Cap Screw, 3/8" x 2 1/4" S.S.	3
	(used in 16LR only)	

Notes:

- 1) *Parts omitted when pump is supplied with a mechanical seal.

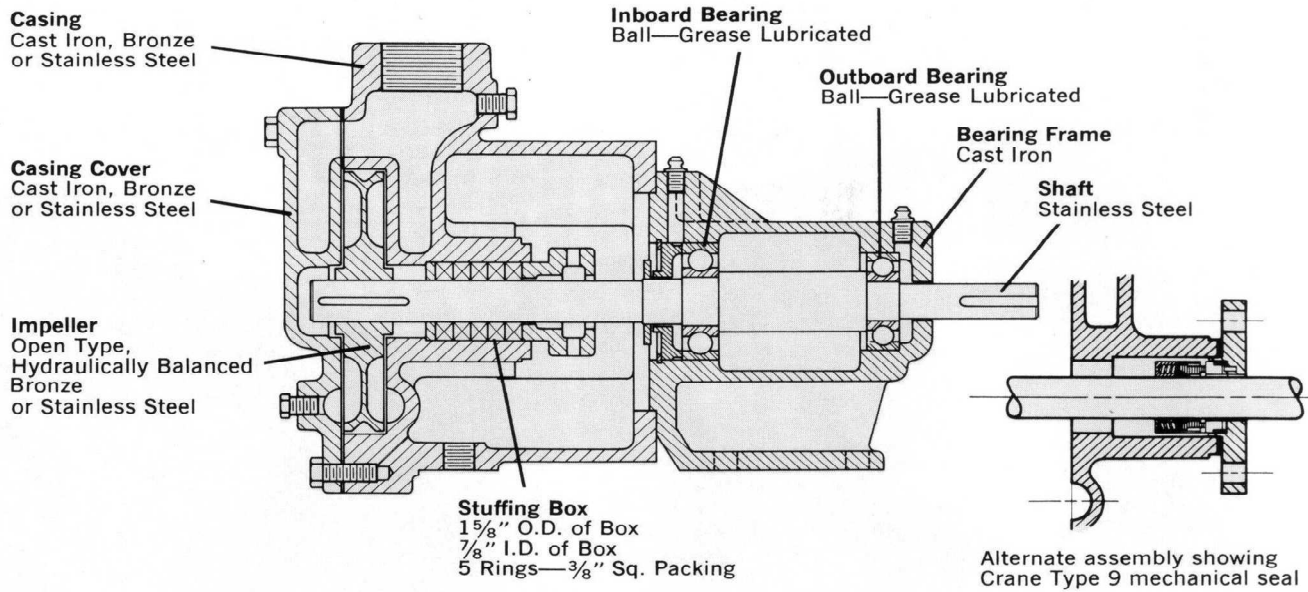
SEAL PARTS FOR IRON, BRONZE FITTED AND ALL BRONZE PUMP ENDS

<u>Part No.</u>	<u>Description</u>	<u>Qty/Pump</u>
6LRHB	Seal Cap, bronze	1
6LRD	Seal Gasket	1
7LRY1 1/4B	Cap Screw, 3/8" x 1 1/4", brass	4
6LRP	Collar (used with Type 1 Seal only)	1
6LRA	Type 9 Mechanical Shaft Seal	1
	(John Crane)(Teflon)	
6LRC	Type 1 Mechanical Shaft Seal	1
	(John Crane)(Viton)	

SEAL PARTS FOR 316 STAINLESS STEEL PUMP END

<u>Part No.</u>	<u>Description</u>	<u>Qty/Pump</u>
6LRH-316	Seal Cap, S.S.	1
6LRD	Seal Gasket	1
7LRY1 1/4SS	Cap screw, 3/8" x 1 1/4" S.S.	4
6LRP	Collar (used with Type 1 Seal only)	1
6LRA	Type 9 Mechanical Shaft Seal	1
	(John Crane)(Teflon)	
6LRC	Type 1 Mechanical Shaft Seal	1
	(John Crane)(Viton)	

Model LR



Model CLR/CHLR

REPLACEMENT CASTINGS		CAST IRON	BRONZE	STAINLESS
Description	Model	Part No.	Part No.	STEEL Part No.
8LR 1" Pump				
Casing	CLR/CHLR	8C-IF	8C-BF	8C-SF
Cover	CLR/CHLR	8D-IF	8D-BF	8D-SF
Impeller	CLR	8B-B	8B-BF	8B-SF
Impeller	CHLR	8B-B	8B-BFB	8B-SFTB
12LR 1 1/2" Pump				
Casing	CLR/CHLR	12C-IF	12C-BF	12C-SF
Cover	CLR/CHLR	12D-IF	12D-BF	12D-SF
Impeller	CLR	12B-BF	12B-BF	12B-SF
Impeller	CHLR	12B-BFB	12B-BFB	12B-SFTB
16 LR 2" Pump				
Casing	CLR/CHLR	16C-IF	16C-BF	16C-SF
Cover	CLR/CHLR	16D-IF	16D-BF	16D-SF
Impeller	CLR	16B-BF	16B-BF	16B-SF
Impeller	CHLR	16B-BF	16B-BFB	16B-SFTB

Lobee Pump and Machinery Co.

11/8/2011

CLR/CHLR COMMON PARTS FOR IRON, BRONZE FITTED AND ALL BRONZE PUMP ENDS

<u>Part No.</u>	<u>Description</u>	<u>Qty/pump</u>
7LRZC3/16	Impeller Key, 3/16" x 2"	1
7LRCE-BF*	Bronze Stuffing Box Gland	1
7LRCLR-K*	Packing, 5 ring set	1
7LRJC-316*	Stuffing Box Washer	1
7LRU-1	8/12LR Casing Gasket, vellumoid, .006"	3
7LRU-2	16LR Casing Gasket, vellumoid, .006"	3
7LRGB*	Brass Stud	2
7LRX*	Stud Nut, 3/8"	2
7LRW1/8B	Brass Plug, 1/8"	1
	(used in 8LR & 12LR only)	
7LRW1/4	Plated Steel Plug, 1/4"	2
	(16LR uses 3 of these)	
7LRW1/4B	Brass Plug, 1/4" (All Bronze End)	2
	(16LR uses 3 of these)	
7LRY3/4	Cap Screw, 3/8" x 3/4"	5
7LRY3/4B	Cap Screw, 3/8" x 3/4" (All Bronze End)	5
7LRY1 1/2	Cap Screw, 3/8" x 1 1/2"	1
	(8LR only)	
7LRY1 1/2B	Cap Screw, 3/8" x 1 1/2" (All Bronze End)	1
	(8LR only)	
7LRT1 3/4	Cap Screw 3/8" x 1 3/4"	1
	(12LR only)	
7LRT1 3/4B	Cap Screw 3/8" x 1 3/4" (All Bronze End)	1
	(12LR only)	
7LRY2 1/4	Cap Screw, 3/8" x 2 1/4"	3
	(16LR only)	
7LRY2 1/4B	Cap Screw, 3/8" x 2 1/4" (All Bronze End)	3
	(16LR only)	
AD-6F	8/12 Model Size Adapter, Aluminum	1
AD-7F	16 Model Size Adapter, Aluminum	1
7LRY	Shaft Bolt & washer Assembly	1
7LRY-1	Cap Screw, 3/8" x 1", steel	4

Notes:

- 1) Steel screws are used in iron bronze fitted pumps. Brass screws are used in all bronze pump ends. Specify which
- 2) *Parts omitted when pump is supplied with a mechanical seal.

Lobee Pump and Machinery Co.

11/8/2011

Model CLR/CHLR

COMMON PARTS FOR STAINLESS STEEL PUMP END

<u>Part No.</u>	<u>Description</u>	<u>Qty/pump</u>
7LRZC3/16	Impeller Key, 3/16" x 2"	1
7LRCE-SS*	S.S. Stuffing Box Gland	1
7LRCLR-KT*	Packing, 5 ring set, Teflon	1
7LRJC-316*	Stuffing Box Washer	1
7LRU-T1	8/12 LR Casing Gasket, Teflon .005"	3
7LRU-T2	8/12 LR Casing Gasket, Teflon .010"	1
7LRU-T3	16 LR Casing Gasket, Teflon .010"	1
7LRU-T4	16 LR Casing Gasket, Teflon .003"	3
7LRG316*	S.S. Stud	2
7LRX316*	Stud Nut, 3/8" S.S.	2
7LRW1/8SS	S.S. Plug, 1/8" (used in 8LR & 12LR only)	1
7LRW1/4SS	S.S. Plug, 1/4" (16LR uses 3 of these)	2
7LRY3/4SS	Cap Screw, 3/8" x 3/4" S.S.	5
7LRY1 1/2SS	Cap Screw, 3/8" x 1 1/2" S.S. (used in 8LR only)	1
7LRY1 3/4SS	Cap Screw, 3/8" x 1 3/4" S.S. (used in 12LR only)	1
7LRY2 1/4SS	Cap Screw, 3/8" x 2 1/4" S.S. (used in 16LR only)	3
AD-6F	8/12 Model Size Adapter, Aluminum	1
AD-7F	16 Model Size Adapter, Aluminum	1
7LRY-S	Shaft Bolt & Washer Assembly	1
7LRY-1	Cap Screw, 3/8" x 1", steel	4

Notes:

- 1) *Parts omitted when pump is supplied with a mechanical seal.

SEAL PARTS FOR IRON, BRONZE FITTED AND ALL BRONZE PUMP ENDS

<u>Part No.</u>	<u>Description</u>	<u>Qty/pump</u>	<u>Model</u>
9LRCH-B	Seal Cap, bronze	1	8/12 CHLR Only
12LRCH-BF	Seal Cap, bronze	1	
9LRC-D	Seal Gasket	1	
7LRY1 1/4B	Cap Screw, 3/8" x 1 1/4", brass	4	
9LRP	Collar (used with Type 1 & 2106 Seal only)	1	
9LRA	Type 9 Mechanical Shaft Seal (John Crane)(Teflon)	1	
9LRC	Type 1 Mechanical Shaft Seal (John Crane)(Viton)	1	
9LRB	Type 2106 Mechanical Shaft Seal (John Crane)(Viton)	1	

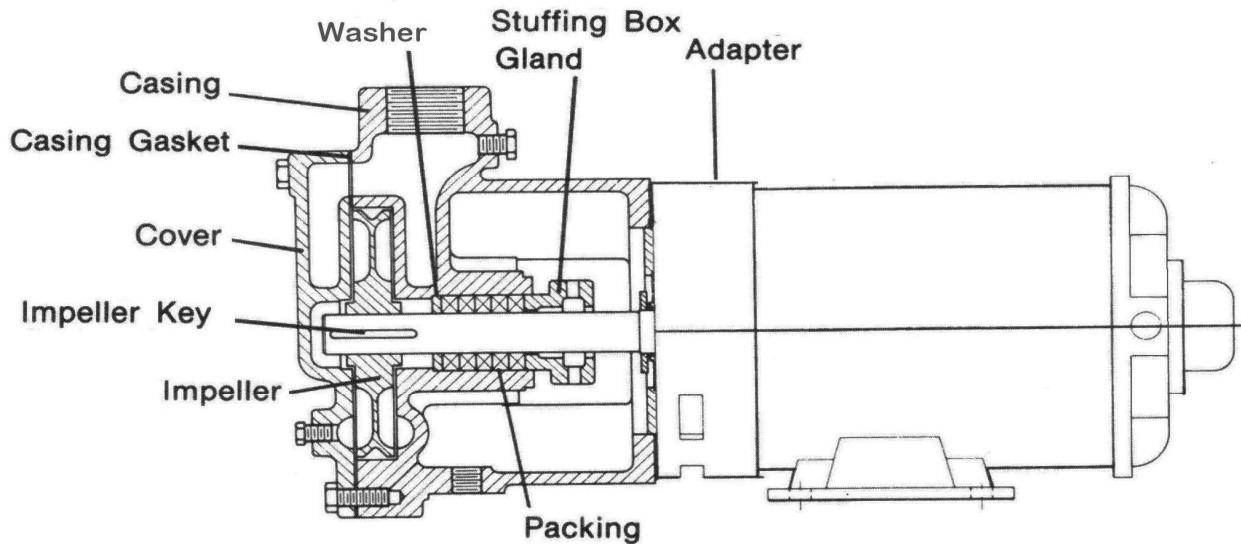
SEAL PARTS FOR 316 STAINLESS STEEL PUMP END

<u>Part No.</u>	<u>Description</u>	<u>Qty/Pump</u>	<u>Model</u>
9LRCH-316	Seal Cap, SS	1	8/12 CHLR Only
12LRCH-SF	Seal Cap, SS	1	
9LRC-D	Seal Gasket	1	
7LRY1 1/4SS	Cap Screw, 3/8" x 1 1/4", S.S.	4	
9LRP	Collar (used with Type 1 & 2106 Seal only)	1	
9LRA	Type 9 Mechanical Shaft Seal (John Crane)(Teflon)	1	
9LRC	Type 1 Mechanical Shaft Seal (John Crane)(Viton)	1	
9LRB	Type 2106 Mechanical Shaft Seal (John Crane)(Viton)	1	

Model CLR/CHLR

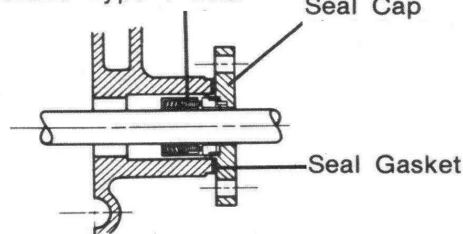
Part No.	Description - Electric Motors	Model
JPLR10	1 HP Motor, 1750 RPM 143JP FRAME 208/230/460-3-60 TEFC (Std Eff)	CLR
JPLR11	1 HP Motor, 1750 RPM 143JP FRAME 115/230-1-60 ODP (Std Eff)	CLR
JPLR15	1 1/2 HP Motor, 1750 RPM 145JP FRAME 208/230/460-3-60 TEFC (Std Eff)	CLR
JPLR151	1 1/2 HP Motor, 1750 RPM 145JP FRAME 115/230-1-60 ODP (Std Eff)	CLR
JPLR15S	1 1/2 HP Motor, 1750 RPM 145JP FRAME 208/230/460-3-60 TEFC (Energy Eff) W/316 SS SHAFT	CLR
JPLR1S	1 HP Motor, 1750 RPM 143JP FRAME 208/230/460-3-60 TEFC (Std Eff) W/316 SS SHAFT	CLR
JPLR20	2 HP Motor, 1750 RPM 145JP FRAME 208/230/460-3-60 TEFC (Std Eff)	CLR
JPLR201	2 HP Motor, 1750 RPM 145JP FRAME 115/230-1-60 ODP (Std Eff)	CLR
JPLR20S	2 HP Motor, 1750 RPM 145JP FRAME 208/230/460-3-60 TEFC (Energy Eff) W/316 SS SHAFT	CLR
JPLR301	3 HP Motor, 1750 RPM 184JP FRAME 115/230-1-60 TEFC (Std Eff)	CLR
JPLR30P	3 HP Motor, 1750 RPM 182JP FRAME 208/230/460-3-60 TEFC (Premium Eff)	CLR
JPLR3036	3 HP Motor, 3465 RPM 145JP FRAME 208-230/460-3-60 TEFC (Std Eff)	CHLR
JPLR30S	3 HP Motor, 1750 RPM 182JP FRAME 208/230/460-3-60 TEFC (Std Eff) W/316 SS SHAFT	CLR
JPLR50	5 HP Motor, 1750 RPM 184JP FRAME 208/230/460-3-60 TEFC (Std Eff)	CLR
JPLR501	5 HP Motor, 1740 RPM 184JP FRAME 230-1-60 ODP (Std Eff)	CLR
JPLR5036	5 HP Motor, 3520 RPM 184JP FRAME 208/230/460-3-60 TEFC (Std Eff)	CHLR
JPLR50S	5 HP Motor, 1750 RPM 182JP FRAME 208/230/460-3-60 TEFC (Std Eff) W/316 SS SHAFT	CLR
JPLR7536	7 1/2 HP Motor, 3500 RPM 184JP FRAME 230/460-3-60 TEFC (Energy Eff)	CHLR
JPLR10036	10 HP Motor, 3510 RPM 215JP FRAME 230/460-3-60 TEFC (Energy Eff)	CHLR
JPLR15036	15 HP Motor, 3500 RPM 215JP FRAME 208-230/460-3-60 TEFC (Energy Eff)	CHLR

Model CLR Cutaway



Drawing of Model CLR Pump showing Stuffing Box

Crane Type 9 Seal
or Crane Type 1 Seal



Mechanical Seal Options